



Operational & Maintenance Manual

Products:

Installation Site

Contractor

Architect

Distributor



Dear Customer:

Thank you for choosing [^ Á [{] æ ^ Á as your custom door installation specialist.

The Operation and Maintenance Manual, which is enclosed, has been supplied by Overhead Door Corporation to meet your needs as our customer. Appropriate information for the products installed has been compiled in this manual for your use. We recommend compliance with all of the safety information provided within the manual.

We strongly recommend implementing a preventative maintenance program. Benefits of properly maintaining your door system include:

- Increased operational efficiency and reliability.
- Extended useful life of your equipment.
- Increased probability of dependable equipment performance.
- Elimination of non-budgeted maintenance cost for door service.

As an Overhead Door distributor, we offer you complete product support for your service and maintenance needs. Do not hesitate to call us for assistance.

We hope that you will also continue to consider [^ Á [{] æ ^ Á for your future product and installation needs. We are firmly committed to providing the finest in Overhead Door products, accessories, and a level of customer support unmatched in the industry.

Sincerely,



Operation & Maintenance Manual

Rolling Doors

Table of Contents

Section 1	General Information
Section 2	Preventive Maintenance
Section 3	Installation Instructions
Section 4	Warranty



GENERAL INFORMATION

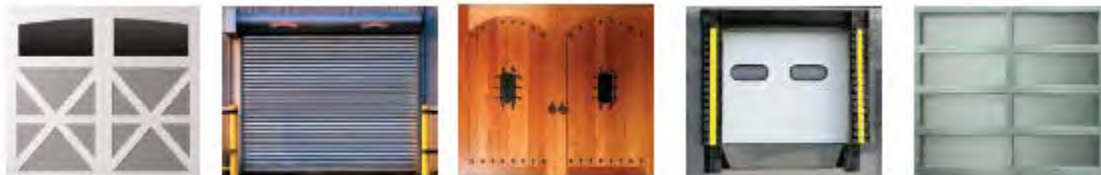


OVERHEAD DOOR CORPORATION

Overhead Door Corporation, based in Dallas, Texas, is a leading single-source manufacturer of integrated door and operator systems for commercial and residential applications.

Overhead Door is the door solutions provider that delivers expert service and the highest level of performance and reliability. Our comprehensive product line encompasses a wide variety of commercial door solutions including: commercial operators, commercial sectional and rolling service doors, advanced performance rolling doors, and security grilles.

With our nationwide network of more than 400 authorized distributors, we are a leading provider of overhead and garage door systems, and we continue to lead the way with reliable solutions and unmatched professional installation, service and support that keeps customers coming back. The brand trusted for over 90 years, Overhead Door gives home and business owners confidence and peace of mind.



To locate a distributor:

From the United States, call 1-800-929-3667 (DOOR)

International: 1-717-248-0131

<http://www.overheaddoor.com/Pages/distributor-locator.aspx>

Contact Information:

Overhead Door Corporation
2501 S. State Hwy. 121, Suite 200
Lewisville, TX 75067

Telephone: 1-800-275-3290

www.overheaddoor.com



PREVENTATIVE MAINTENANCE



BENEFITS OF PREVENTATIVE MAINTENANCE PROGRAM

- **Increase operational efficiency, safety and reliability**
- **Extend useful life of your equipment**
- **Reduce probability of equipment malfunctioning**
- **Decrease costly downtime**
- **Decrease long-term repair expense**
- **Priority scheduling for service**
- **Establish relationship with experienced, service-oriented professionals**



TROUBLESHOOTING GUIDE FOR ROLLING SERVICE DOORS

1. DOOR IS HARD TO RAISE BUT EASY TO LOWER.

SOLUTION: Springs require more turns. Raise door to fully opened position and add spring tension (1/8 turn at a time) until the same resistance is felt lowering the door as is felt raising the door. Adjust tension wheel with steel winding bards 3' long and diameter 1/2" or 3/4".

2. DOOR IS HARD TO LOWER BUT EASY TO RAISE.

SOLUTION: Springs require fewer turns. Raise door to fully opened position and remove spring tension (1/8 turn at a time) until results listed in example 1 are achieved.

3. DOOR HANGS UP AT ENTRANCE INTO GUIDES.

SOLUTION:

- a. Bellmouths might be out of position away from the headplate allowing endlocks to wedge. Loosen attachment nut and locate edge of bellmouth snug against headplate and tighten.
- b. Endlocks might have become loose and tilted out of position. Drill out loose fasteners and reattach with suitable fastener.
- c. Curtain might have been bent and damaged enough to wedge in guides. In some cases the bellmouths can be removed from the guide entrance and the curtain lowered outside of the guides and straightened. Be careful not to allow curtain to rapidly unwind off the counterbalance.

4. ELECTRIC OPERATOR STOPS TOO SOON; DOES NOT REACH THE OPEN OR CLOSED POSITION.

SOLUTION: Operator limit switch setting has become out of phase with the door. Reset the limit switches. See operator installation instructions for method of resetting limits.

5. OPERATOR DOES NOT RUN.

SOLUTION:

- a. Verify that electric power is available to the operator.
- b. Verify 24 VAC control voltage from operator transformer.
- c. Verify condition of hoist interlock switch.
- d. Verify condition of slidebolt interlock switch.



RECOMMENDED PREVENTATIVE MAINTENANCE

To keep door in good working condition:

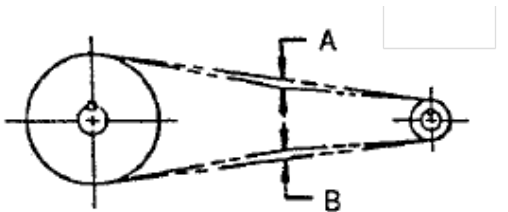
Every three months¹

- Oil all moving parts except the clutch mechanism on fire doors and the wool pile in the guides on rolling grilles or counter doors. The guides should be lubricated with a paste wax or silicone spray.
- If electrically operated, check the operator gear reducer for oil leakage. If it is necessary to add oil, use Mobile Synthetic Oil (AGMA 7 #SHC 75W90).
- Check the tension of the roller chain between the operator and the door sprocket (see Figure A). If too loose, loosen the operator mounting bolts and slide the operator to tighten the chain (see Figure B). Retighten the operator mounting bolts.
- Oil the interior roller chain on operators without gear reducer.

Every six months¹

- Oil all exposed roller chains, and on electric operators, dry lube the limit switch shaft threads.
- All bearings provided with grease fittings should be lubricated. If so equipped, find bearings located in the drive bracket and tension end of the counterbalance.
- Fire doors should be drop tested unless more frequent testing is required by other codes. Always use the Drop Test Instructions located inside the tension headplate cover.
- On crank operated doors and grilles, the crank assemblies are sealed with grease and should not require lubrication.

¹ The above frequency of maintenance is for normal operation. Severe duty or unusual operating conditions may require modification of the times between maintenance.



A+B must equal more than ¼"

Figure A

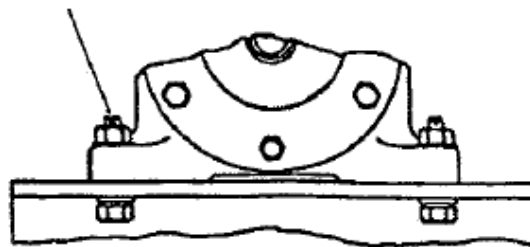


Figure B



SCOPE OF WORK FOR ROLLING DOORS AND ELECTRIC OPERATORS

ROLLING DOORS:

- 1) Inspect door alignment and level.
- 2) Inspect slats and endlocks for damage.
- 3) Inspect guides, bottom bar and hood for damage.
- 4) Inspect all weather-stripping for wear or damage.
- 5) Adjust spring and lubricate bearings.
- 6) Inspect and tighten fasteners.
- 7) Inspect and lubricate chain hoist.
- 8) Inspect locks for proper operation.
- 9) Inspect and tighten all sprockets and shaft collars.
- 10) Inspect safety labels, placement and condition.

ELECTRIC OPERATORS:

- 11) Inspect and adjust limit switches.
- 12) Inspect and adjust belts.
- 13) Inspect and adjust brake.
- 14) Inspect gear reducer.
- 15) Inspect operator mounting.
- 16) Inspect and test disconnect.
- 17) Inspect and lubricate roller chain.
- 18) Inspect and tighten all sprockets.
- 19) Inspect safety labels, placement and condition.

ROLLING FIRE DOORS:

- 20) Inspect fuse links and replace painted fuse links.
- 21) Drop test door for proper operation.
- 22) Check that door is properly reset.
- 23) Test electric fusible links for continuity (where applicable).
- 24) Test smoke detector (where applicable).
- 25) Test hold-open devices and time delays (where applicable).
- 26) Inspect safety labels, placement and condition.



INSTALLATION INSTRUCTIONS

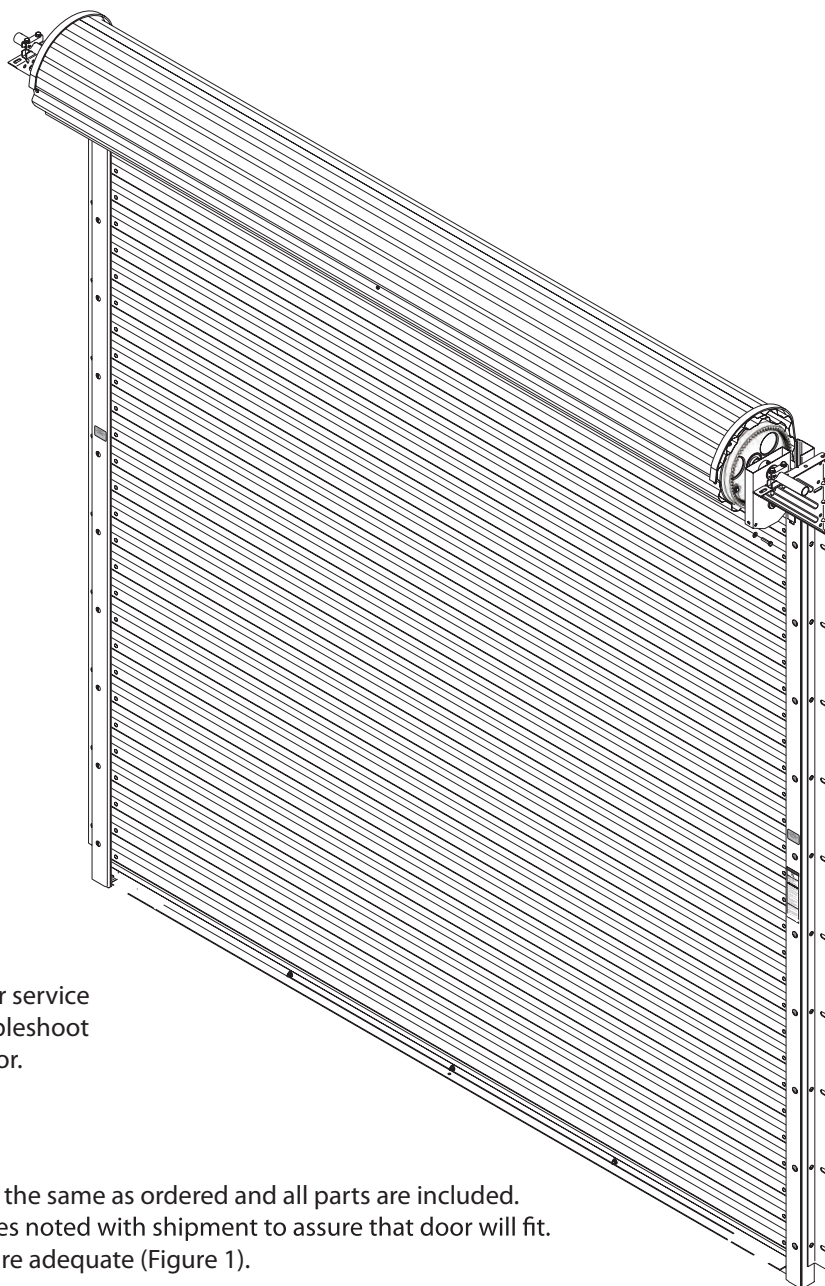
Installation Instructions for ROLLING SERVICE DOOR Series 780 CD/790 CW

The Genuine. The Original.



Contents

Warnings & Safety Information.....	2
Key Drawing	3
Door Installation Data Sheet	4
Pre-Installation Checks & Tasks.....	5
Installation.....	6-12



CAUTION

USE PROPER LIFTING EQUIPMENT AND
CORRECT LIFTING PROCEDURES TO
AVOID INJURY

This installation manual provides the owner or service person information required to install, troubleshoot and maintain a Rolling Service Door.

IMPORTANT

- CHECK for shipping damage.
- CHECK door against packing list to make sure door is the same as ordered and all parts are included.
- CHECK width and height of door opening against sizes noted with shipment to assure that door will fit.
- CHECK to make sure headroom and side clearances are adequate (Figure 1).

Read these instructions completely before attempting to install this door.
WARRANTY VOID IF DOOR IS NOT INSTALLED ACCORDING TO INSTRUCTIONS.
DO NOT CUT OR REMOVE RETAINING BANDS UNTIL INSTRUCTED TO DO SO.
CHECK WARNING LABELS ON DOOR FOR PROPER INSTALLATION PROCEDURE.

READ COMPLETE INSTRUCTIONS BEFORE INSTALLING DOORS.

This document also refers to the following other documents or specifications;
Expansion Anchor Requirements 307390
Installation Instructions, Cast Gear Drive Chain Hoist 308042
Chain Hoist Assemblies and Operation 300951

SAFETY INFORMATION

OVERVIEW OF POTENTIAL HAZARDS

READ THIS SAFETY INFORMATION

Overhead doors are large, heavy objects that move with the help of springs under high tension and electric motors. Since moving objects, springs under tension, and electric motors can cause injuries, your safety and the safety of others depend on you reading the information in this manual. If you have questions or do not understand the information presented, call your nearest trained door system technician.

In this section, and those that follow, the words Danger, Warning, and Caution are used to emphasize important safety information. The word:




- ▲ DANGER indicates an imminently hazardous situation which, if not avoided, will result in death or serious injury.
- ▲ WARNING indicates a potentially hazardous situation which, if not avoided, could result in death or serious injury.
- ▲ CAUTION indicates a potentially hazardous situation which, if not avoided, may result in injury or property damage.

The word NOTE is used to indicate important steps to be followed or important considerations.

IMPORTANT SAFETY INSTRUCTIONS

READ AND FOLLOW ALL INSTRUCTIONS

SAVE THESE INSTRUCTIONS

Potential Hazard	Effect	Prevention
 <p>MOVING DOOR</p>	<p>▲ WARNING</p> <p>Could result in Death or Serious Injury</p>	<p>Keep people clear of opening while Door is moving.</p> <p>Do NOT allow children to play with the Door Operator.</p> <p>Do NOT operate a Door that jams or one that has a broken spring.</p>
 <p>ELECTRICAL SHOCK</p>	<p>▲ WARNING</p> <p>Could result in Death or Serious Injury</p>	<p>Turn OFF power before removing operator cover.</p> <p>When replacing cover, make sure wires are NOT pinching or near moving parts.</p> <p>Operator must be fully grounded.</p>
 <p>HIGH SPRING TENSION</p>	<p>▲ WARNING</p> <p>Could result in Death or Serious Injury</p>	<p>Do NOT try to remove, install, repair or adjust springs or anything to which door spring parts are fastened, such as, wood blocks, steel brackets, cables or other like items.</p> <p>Installations, repairs and adjustments must be done by a trained door system technician using proper tools and instructions.</p>

Key Drawing

Rolling Service Door with parts.

Right hand door is illustrated. In a left hand door the barrel and both brackets are reversed. Guides for masonry jambs shown.

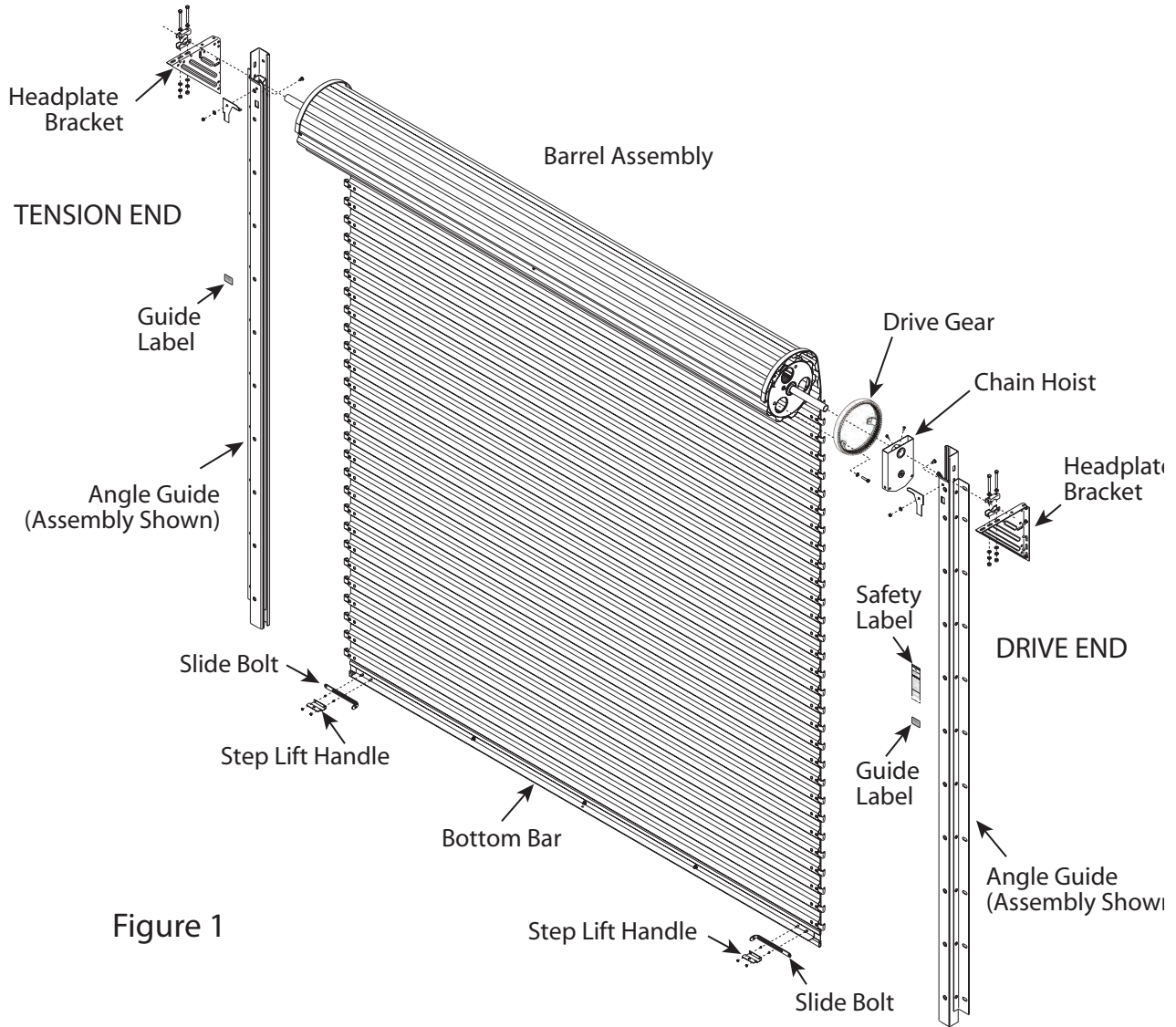
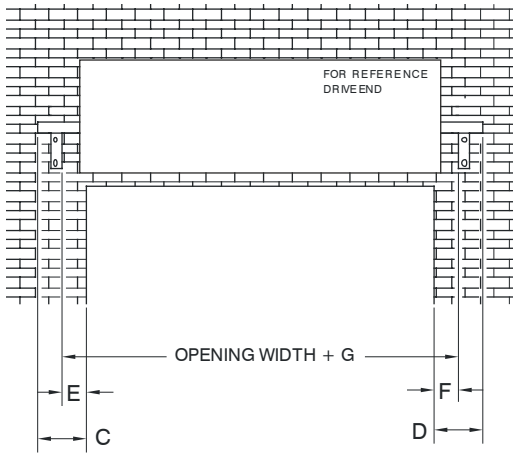


Figure 1

Please note that components and component locations are shown here for REFERENCE ONLY. Your unit installation and component locations may be different.

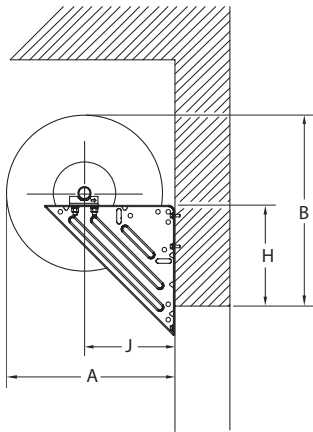


Operation	Door Type	C*	D*	E	F**	G
Push Up	790	10"	10"	6"	6"	12"
	780	10"	10"	4"	4"	8"
Reduced Chain Drive	790	10"	10"	4"	6"	10"
	780	10"	10"	4"	8"	12"
Operator	790	10"	10"	4"	4"	8"
	780	10"	10"	4"	6"	10"

*Excess shaft may be cut off of non-drive sides of doors for additional clearance. It is recommended that at least 1" of shaft be retained past the headplate to facilitate spring tension adjustment.

**Dimension "F" applies to Drive End only. RH shown, LH opposite.

Figure 2



Opening Height		Head Plate Height		Axle Setting		Back Room	
		H		J		A	
Over	Up To	Recommended	Minimum	Recommended	Minimum	Recommended	Minimum
-	7' 8"	10"	8"	9 1/8"	Same	18 1/8"	Same
7' 9"	9' 4"	10 1/2"	8 1/2"	9 1/8"	Same	18 3/8"	Same
9' 5"	11' 0"	11"	10"	10 1/4"	Same	19 3/4"	Same
11' 1"	12' 8"	11 1/2"	10 1/2"	10 1/4"	Same	20 1/4"	Same
12' 9"	14' 3"	12"	11"	10 1/2"	Same	20 1/2"	Same
14' 4"	16' 0"	13"	12"	10 1/2"	Same	21"	Same

Figure 3

NOTE: Bracing may be required to prevent light weight building jambs from twisting.

INSTALLATION

1. Locate headplates per dimensions F, (or approximately 5" above top of guide, if headroom allows) E, H and G (Figure 1).
2. Hold headplates in mounting position. Using a water level, check to make sure tops of headplates are level. Mark mounting hole locations on header. See Table 1 for supplied fasteners. Thru-bolts are recommended for brick or stone walls or hollow Concrete Masonry Unit (CMU) wall. DO NOT install fastener in a void in the wall. If this condition exists then use Thru-bolt. Fasten headplates to wall using three fasteners. Use top hole in headplates.

Opening Height		Head Room	
		B	
Over	Up To	Recommended	Minimum
-	7' 8"	20 1/4"	18 1/4"
7' 9"	9' 4"	21"	19"
9' 5"	11' 0"	21 3/4"	20 3/4"
11' 1"	12' 8"	22 3/4"	21 3/4"
12' 9"	14' 3"	23 1/4"	22 1/4"
14' 4"	16' 0"	24 3/4"	23 3/4"

3. IF DOOR IS CHAIN DRIVEN: (See page 9 for illustration)

- A. Slide 6:1 chain hoist onto door shaft. (Page 7)
 - B. Align small gear of chain hoist with large ring gear mounted to curtain assembly.
 - C. Secure two chain hoist bolts onto door shaft.
 - D. Thread hand chain thru chain guide slots, over chain wheel and connect ends.
- NOTE: Make sure chain is not twisted.

Table 1 - Headplate Fasteners

Jamb	Doors	Fastener	Drill Size	Fastener Specifications
Steel	All	3/8" bolt	7/16"	
Concrete/Masonry	All	3/8" exp. anchor	3/8"	Use ANSI B95.12 carbide tipped drill bit
Wood	All	3/8" Lag	5/16"	

*Drill size for supplied fasteners. For others, refer to manufacturer's specified installation method. See Page 4 For illustration

4. Curtain assembly counterbalance springs will have to be wound during the installment procedure. It is essential that the curtain bottom bar be positioned correctly when placing curtain assembly on headplates. A reference point marked on the curtain ring and door shaft is required to neutralize the spring before clamping the door shaft. See Table 3, Page 9, for for the initial turns required to wind counterbalance springs, then locate bottom bar accordingly. (NOTE: Incorrect number of turns will affect door operation. See directions on sheet 7 for adjusting spring tension. EXAMPLE: If the number of initial turns is 1 and ½, locate bottom bar at the ½ turn position (Figure 4). Step 8 will explain the winding procedure.

5. Position curtain assembly on headplates according to dimension J in Figure 3. Curtain must be centered on door opening.

6. Install saddle clamps at both ends of door shaft as shown in Figure 5 and securely tighten saddle clamps to headplates.

7. Position guides to opening as shown in Figure 6. Clearance between curtain and inside of guides is shown in Figure 7. Adjust curtain or guides as necessary to achieve this spacing. Secure guides to jambs with supplied fasteners. See Table 2.

8. Curtain assembly counterbalance springs must now be wound for the number of initial turns required to set spring tension. As explained in Step 4, use the initial turn setting to wind counterbalance springs. EXAMPLE: If initial turn setting is 1 and ½ use the following procedures:

- A. Starting at the ½ turn position, rotate curtain assembly on door shaft 1 and ½ turns in the "CLOSE" direction (See Figure 4).
- B. Bottom bar should stop at the FULL TURN position.

9. Secure bottom bar or hand chain to prevent curtain from unwinding and remove retaining bands.

10. Lower bottom bar into guide openings and lower curtain to the floor.

11. Install bottom bar stops as shown in Figure 8. Make certain the head of the bolt is on the inside of the guides for proper door operation.

12. Check both guides to insure the clearance shown in Figure 7 is maintained along the full length of the guides. Adjust both guides for clearance if necessary and secure.

13. Make sure radius at top of guides leads curtain into guides smoothly. If necessary, bend radius to adjust.

NOTE

DO NOT LUBRICATE GUIDES.

DOOR SHOULD OPEN AND CLOSE WITH EQUAL EFFORT.

If door is easy to close but hard to open-
INCREASE SPRING TENSION

If door is easy to open but hard to close-
DECREASE SPRING TENSION

Table 2 - Guide Fasteners

Jamb	Doors	Width	Fastener	Spacing
Steel	780CD	Up to 16'	1/4" Screw	Every other hole
	790CW	Up to 20'	1/4" Screw	Every hole
Concrete/ Masonry	780CD	Up to 16'	1/4" Masonry Screw (3/16" Drill Size, 2-1/4" Deep)*	Every other hole
			Optional 1/4" Expansion Anchor (1/4" Drill Size)	
	790CW	Up to 16'	3/8" Expansion Anchor	Every hole
		Over 16' to 20'	1/2" Expansion Anchor	Every hole
Wood	780CD	Up to 16'	1/4" Lag Screw	Every other hole
	790CW	Up to 16'	3/8" Lag Screw	Every hole
		Over 16' to 20'	1/2" Lag Screw	Every hole

*Use ANSI B95.12 carbide tipped drill bit and drill sizes for supplied fasteners. For all others, refer to manufacturer's supplied installation method.

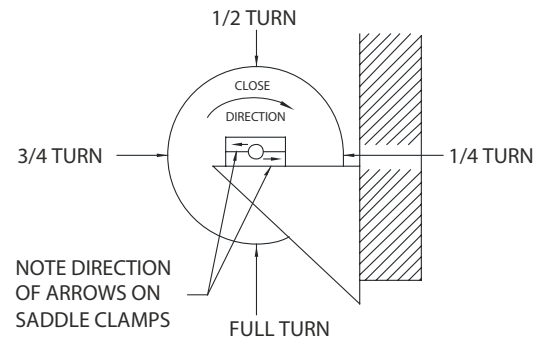


Figure 4

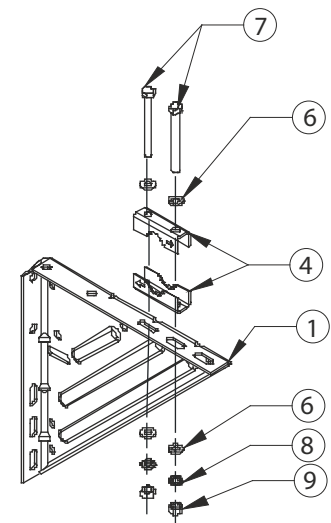


Figure 5

⚠ WARNING

Excessive Spring Tension can result in damage to the bottom bar and door stop and if used while in such a damaged state can cause serious injury.

TO ADJUST SPRING TENSION:

13. (continued)

- A. Raise curtain to fully OPEN position.
- B. Loosen set screw on chain hoist, if present.
- C. Adjust spring tension (Figure 9) according to the following procedure:
 - AA. Apply torque to door shaft using a pipe wrench.
 - BB. Loosen saddle clamp bolt nuts at both ends of the door shaft.
 - CC. Adjust spring tension as desired.
 - NOTE: DO NOT adjust more than 1/4 turn at any time.
 - DD. Tighten saddle clamp bolt nuts at both ends of door shaft.
- D. Tighten set screw on chain hoist, if present.
- E. Check door operation. Readjust spring tension if necessary.

14. Install slide locks to bottom bar as shown in Figure 10.

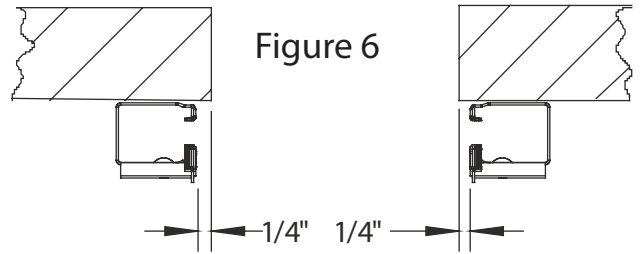


Figure 6

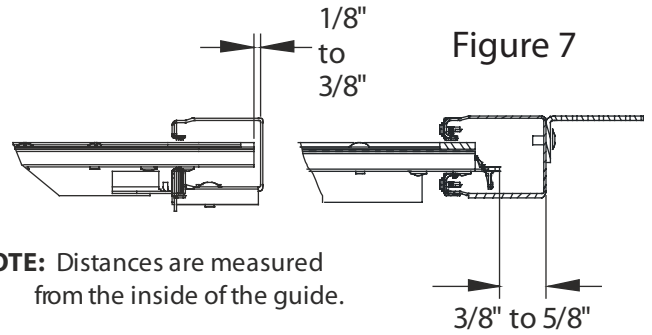


Figure 7

NOTE: Distances are measured from the inside of the guide.

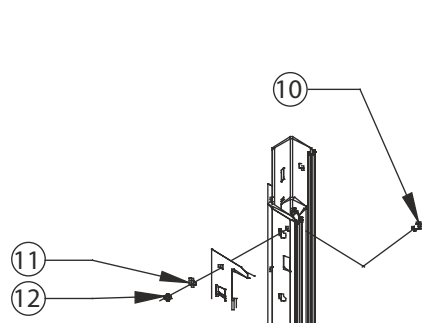


Figure 8

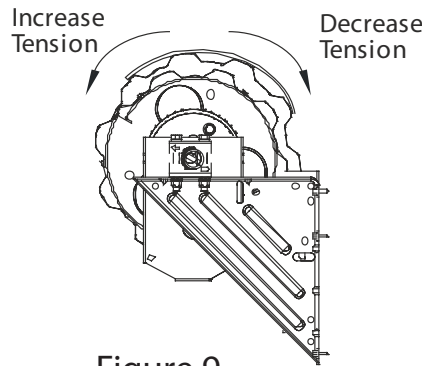


Figure 9

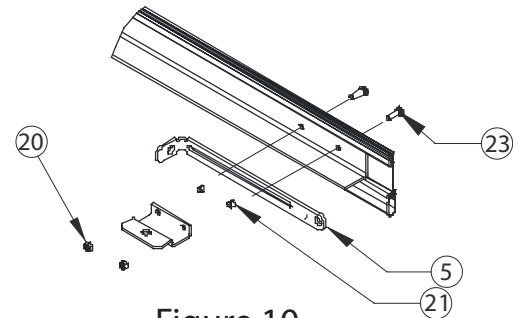


Figure 10

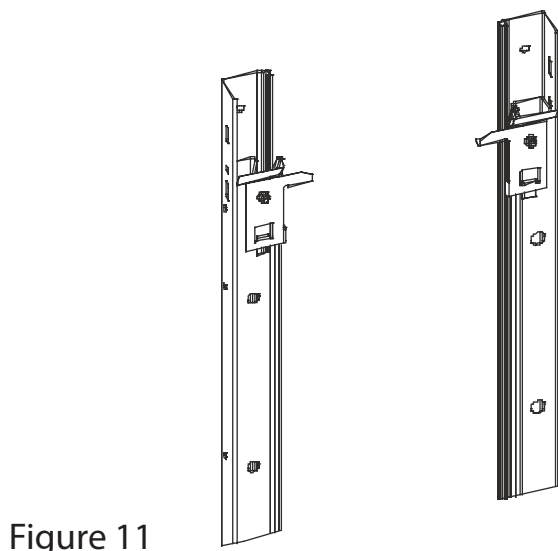


Figure 11

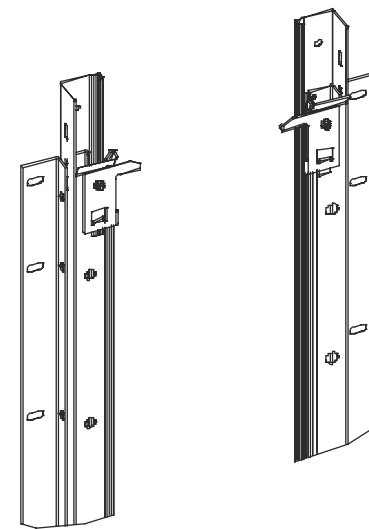


Figure 12

Jamb Type	780CD	790CW
Masonry	All Sizes	Up to 8'
Wood	All Sizes	Up to 10'
Steel	All Sizes	Up to 14'

Jamb Type	790CW
Masonry	Over 8'
Wood	Over 10'
Steel	Over 14'

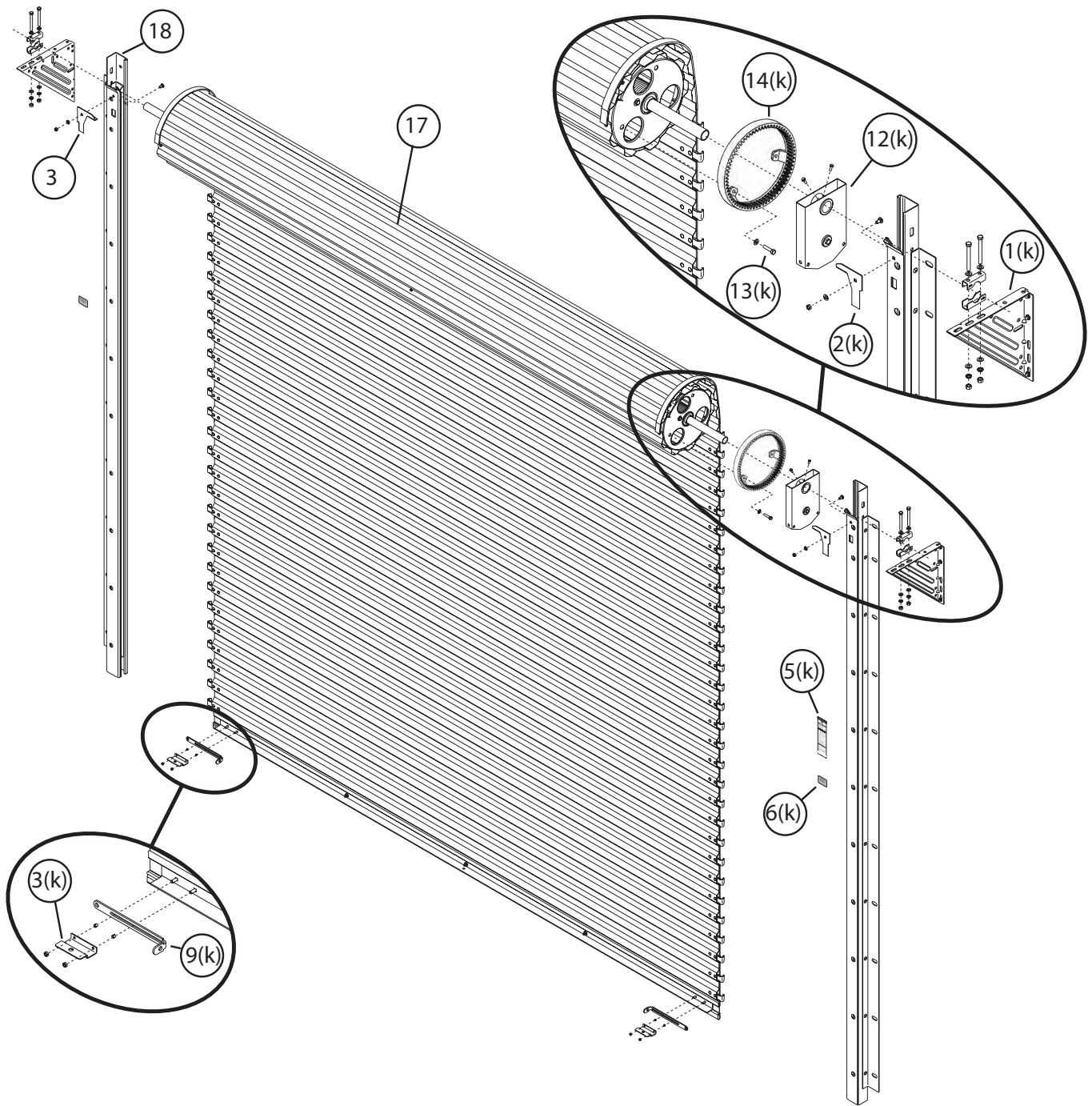


Figure 13

See page 8 for Bill of Materials
 (Callouts with (k) refer to the 6:1 CHAIN HOIST KIT Bill of Material)

STANDARD DOOR HARDWARE			
ITEM	PART NUMBER	PART DESCRIPTION	QTY
1	202023-0002	BRACKET, HEADPLATE	2
2	220154-0002	STOP, BOTTOM BAR, RH	1
3	220154-0001	STOP, BOTTOM BAR, LH	1
4	202157-0001	SADDLE CLAMP, SHAFT	4
5	306973-0002	SLIDEBOLT, 1" wide x 11-1/4" long	2
6	080302-2832	WSHR, FLAT, PLD, 3/8" x 1" OD	8
7	080105-0628	BOLT, HH, NC, 3/8" x 3-1/2" LG	4
8	080322-0382	WASHER, LOCK, 3/8"	4
9	080352-0616	NUT, HEX, PLD, 3/8-16 NC	4
10	086420-0505	BOLT, CARRIAGE, SQ NECK, RND HD 5/16" x 5/8"	2
11	080302-2222	WSHR, FLAT, PLD, 5/16" x 11/16" OD	4
12	080352-0518	NUT, HEX, PLD, 5/16-18 NC	2
20	086480-1620	NUT, HEX, W/LK WSHR, 1/4-20	2
21	061239-0000	SPACER, ROLLED, 1/4" x 1/4"	4
23	086420-0408	BOLT, CARRIAGE, SQ NECK, RND HD 1/4" x 1"	2
24	205938-0001	STEP / LIFT HANDLE	2
1	220141-0007	6:1 CHAIN HOIST KIT	1
1	220076-0005	KIT, FSTNR, WALL, STL	1
	220076-0011	KIT, FSTNR, WALL, STL	1
	220082-0001	KIT, FSTNR, HDW, COML	1
2	080807-0005	ROPE, POLY, BULK, #8, 1/4"DIA	6
3	205938-0001	STEP LIFT HANDLE	2
4	220153-0001	INS, INSTL, COML, SHTDR	1
5	301603-0002	WARNING, LABEL, ROLLING DOORS	2
6	604729-0001	DECAL	2
7	606853-0014	BOX	1
8	202023-0002	BRKT, HDPL, .120" THK	2
9	306973-0002	SLIDEBOLT, 1" W x 1-1/14" L, DADE	2
11	220154-0001	STOP, BOTTOM BAR, SHTDR, LH	1
	220154-0002	STOP, BOTTOM BAR, SHTDR, RH	1
12	220205-0001	6:1 CHAIN HOIST	1
13	220207-0001	SCREW	3
14	220206-0001	GEAR	1

Table 3

15' 6" up to 16' 5"	2.75
14' 6" up to 15' 5"	2.50
13' 6" up to 14' 5"	2.50
12' 6" up to 13' 5"	2.50
11' 6" up to 12' 5"	2.50
10' 6" up to 11' 5"	2.50
9' 6" up to 10' 5"	2.50
8' 6" up to 9' 5"	2.25
6' 6" up to 7' 5"	2.25
5' 6" up to 6' 5"	2.25
4' 6" up to 5' 5"	2.00
3' 6" up to 4' 5"	2.00
2' 6" up to 3' 5"	2.00

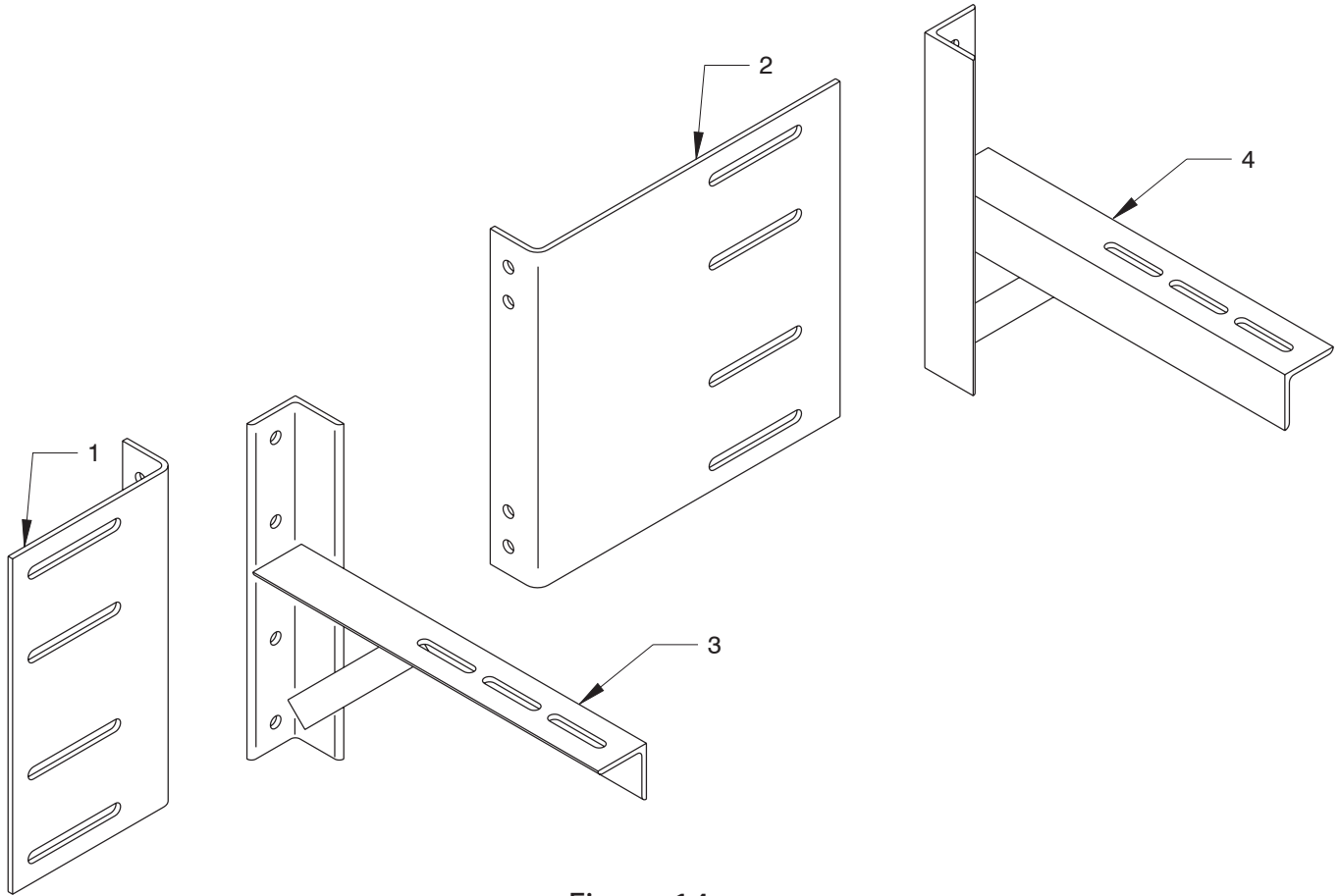


Figure 14

ITEM	PART NUMBER	PART DESCRIPTION	QTY
1	204215-0002	JAMB EXTENSION - IDLE END	1
2	204214-0002	JAMB EXTENSION - DRIVE END	1
3	205981-0005	MOUNTING BRKT., .188 THK, LH	1
4	205981-0006	MOUNTING BRKT., .188 THK, RH	1

STEP 17

PRODUCT SAFETY INSTRUCTIONS

The door installer has the following responsibilities:

- Find labels in hardware box.
- Attach "Warning" Label 301603 as directed on label, Figure 16.
- Attach "Do Not Lubricate" Label 604729 to wall at eye level, Figure 15.
- Demonstrate to the door user the correct way to control the closing speed of the rolling door with crank, hand chain or push-up operation; show that two hands should be used to control the hand chain.
- Inform the door user about the following requirements from ANSI Z535.4: "Product safety labels should be periodically inspected and cleaned by the product user as necessary to maintain good legibility." The product user should order replacement safety labels from the door manufacturer as required to maintain legibility.
- Inform the door user that electric operators must be installed on the door in accordance with the instructions from the manufacturer of the operator.

STEP 18

- Attach chain keeper to wall or door guide assembly. Instruct door users to wrap hand chain as shown in Figure 17.
- Tie rope to bottom bar.

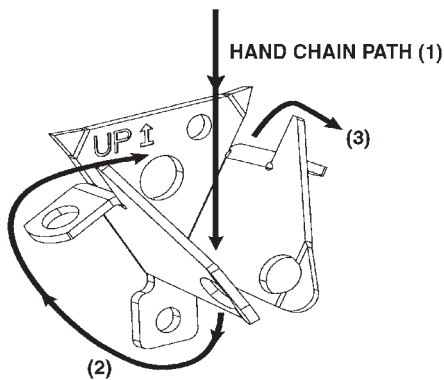


Figure 17

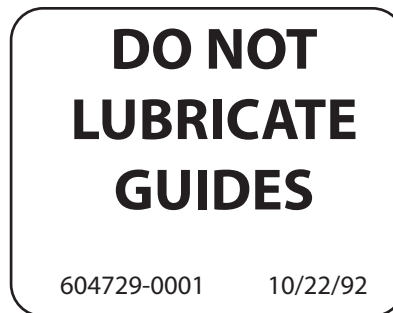


Figure 15




WARNING
MOVING door could result in death or serious injury
Do NOT close door until doorway is clear.
SAFETY INSTRUCTIONS
<ol style="list-style-type: none">1. Control the closing speed of crank, hand chain or push-up operated doors.2. Do NOT stand or walk under door while door is moving.3. Keep doorway clear and in full view while operating door.4. Do NOT allow children to operate door.5. Unlock door before opening door.6. Motor operated doors with sensing edge should be tested frequently.7. Doors that do not open or close must be repaired by a trained door system technician.
Place label at a readable height on door drive side guide or jamb.
Do NOT remove, cover, or paint over label.
Product user should inspect this label periodically for legibility, and should order a replacement label from the door manufacturer as needed.
The Genuine. The Original.

10/18/07 301603-0003

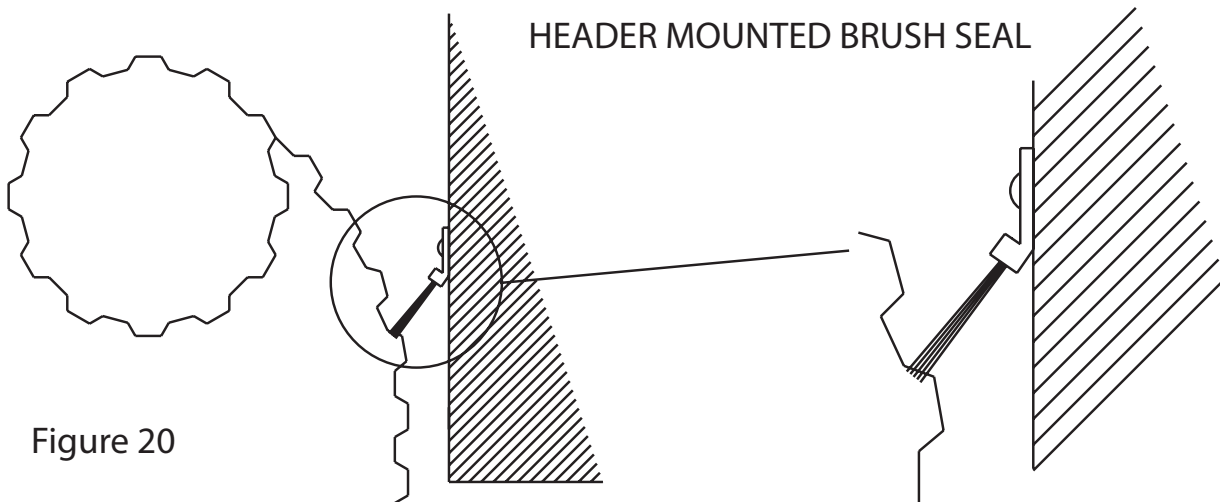
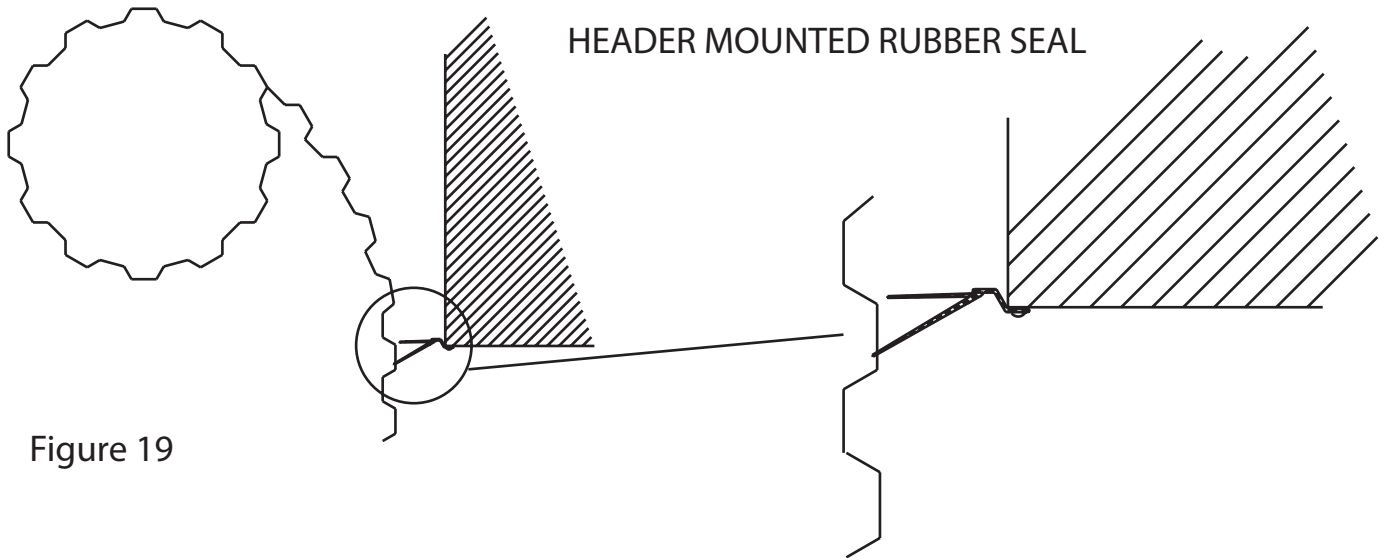
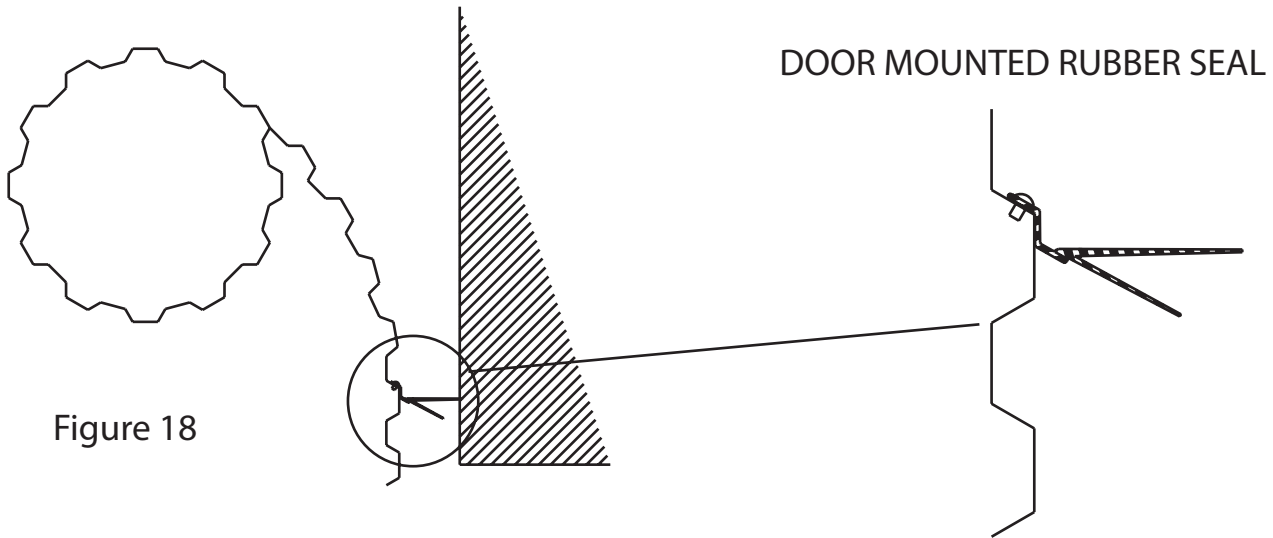
Figure 16

Troubleshooting

SYMPTOM	POSSIBLE CAUSE
1. Door is easy to close, but hard to open...	- Insufficient spring tension.\
2. Door is easy to open, but hard to close...	- Excessive spring tension.
3. Door is hard to operate...	<ul style="list-style-type: none">- Mounting brackets are not level.- Curtain assembly is not parallel to opening.- Door assembly incorrect distance from wall.- Guide leads are improperly adjusted. (Adjustment must be made with door fully closed).- Guides may be damaged.- Insufficient clearance between curtain and inside of guide. (Check Figure 7 for required clearance on both sides).- Mounting brackets too low. Check Figures 1 & 2 for proper location.
4. Bottom weather seal does not contact floor evenly...	<ul style="list-style-type: none">- Floor is not level.- Mounting brackets are not level.- Guides are not plumb.- Spring tension too high. See Page 6, Figure 7 for tension Adjustment procedures.
5. Door telescopes or rolls up unevenly...	<ul style="list-style-type: none">- Mounting brackets are not level, or are too low.- To straighten door curtain:<ul style="list-style-type: none">A. Adjust mounting brackets to the correct position (Figures 1 & 2).B. While positively retaining door curtain to prevent unwinding of spring, remove guides from jambs.C. Lower curtain to floor, and carefully raise, to square the curtain back up on the barrel. (DO NOT remove positive hold on curtain until guides are back in place). Repeat as necessary.D. Replace guides and bottom bar stops.
6. Door operates stiffly or curtain rattles over guide leads...	<ul style="list-style-type: none">- Guides are too long.- Door assembly is mounted too far from opening.<ul style="list-style-type: none">A. Adjustment must be made with door fully open.B. Loosen saddle clamp bolts on one end.C. Push curtain assembly toward header until correct setting has been obtained. See dimension "J" - Figure 2 - Page 4.D. Retighten saddle clamp bolts.E. Repeat procedure for other end of curtain. Assembly MUST BE parallel with header.- Add shim behind top guide attachment to wall.- Mounting brackets too low:<ul style="list-style-type: none">A. Raise brackets, orB. Cut track from bottom. (Door will hang in opening).

OPTIONAL HEADER SEAL

1. With door closed, mark attachment point for header seal on curtain (Figure 18).
2. Raise curtain until attachment point is accessible holes for rivets on 12" centers using a number 29 drill.
3. Hold header seal along attachment point and drill.
4. Secure header seal to curtain using 1/8" diameter, large flange rivets.





WARRANTY

The Genuine. The Original.



Overhead Door Corporation
For Series 790CW, 780CD, and 770SS
Rolling Sheet Doors

Overhead Door Corporation ("Seller") warrants to the original purchaser of the Series 790CW, 780CD or 770SS Rolling Sheet door identified below (the "Product"), subject to all of the terms and conditions hereof, that the Product and all components thereof will be free from defects in materials and workmanship under normal use for the following period(s), measured from the date of installation:

- **ONE (1) YEAR ON ALL PARTS AND COMPONENTS**

Seller's obligation under this warranty is specifically limited to repairing or replacing, at its option, any part which is determined by Seller to be defective during the applicable warranty period.

This warranty is made to the original purchaser of the Product only, and is not transferable or assignable. This warranty does not apply to any unauthorized alteration or repair of the Product, or to any Product or component which has been damaged or deteriorated due to misuse, neglect, accident, failure to provide necessary maintenance, normal wear and tear, or acts of God or any other cause beyond the reasonable control of Seller.

THIS WARRANTY IS EXCLUSIVE AND IN LIEU OF ANY OTHER WARRANTIES, EITHER EXPRESS OR IMPLIED, INCLUDING BUT NOT LIMITED TO ANY IMPLIED WARRANTY OF MERCHANTABILITY OR FITNESS FOR A PARTICULAR PURPOSE.

IN NO EVENT SHALL SELLER BE RESPONSIBLE FOR, OR LIABLE TO ANYONE FOR, SPECIAL, INDIRECT, COLLATERAL, PUNITIVE, INCIDENTAL OR CONSEQUENTIAL DAMAGES, even if Seller has been advised of the possibility of such damages. Such excluded damages include, but are not limited to, loss of goodwill, loss of profits, loss of use, cost of any substitute product, interruption of business, or other similar indirect financial loss.

Claims under this warranty must be made promptly after discovery, within the applicable warranty period, and in writing to the Seller or to the authorized distributor or installer whose name and address appear below. The purchaser must allow Seller a reasonable opportunity to inspect any Product claimed to be defective prior to removal or any alteration of its condition. Proof of the purchase and/or installation date, and identification as the original purchaser, may be required.

Product Type: _____

Customer Name (Original Purchaser): _____

Customer Installation Location: _____

Date of Installation: _____

Name of Distributor/Installer: _____

Signature of Distributor/Installer: _____



Overhead Door Corporation
2501 S. State Hwy 121 Bus., Suite 200
Lewisville, TX 75067
1-800-929-3667(DOOR)
www.overheaddoor.com
